

DAMEN ANTI POLLUTION BARGE 2405

"SARAH 17"

GENERAL

YARD NUMBER	522505
DELIVERY DATE	July 2015
BASIC FUNCTIONS	Waste oil storage from CBM and SBM hoses.
CLASS NOTATION	Bureau Veritas: I + Hull, Pontoon, Special Service / Fuel Tank Barge Flashpoint > 60°C
DESCRIPTIVE NOTE	No Propulsion, Coastal Area
FLAG	Kuwait
OWNER	Bin Nowiran for Trad. & Cont. CO.

DIMENSIONS

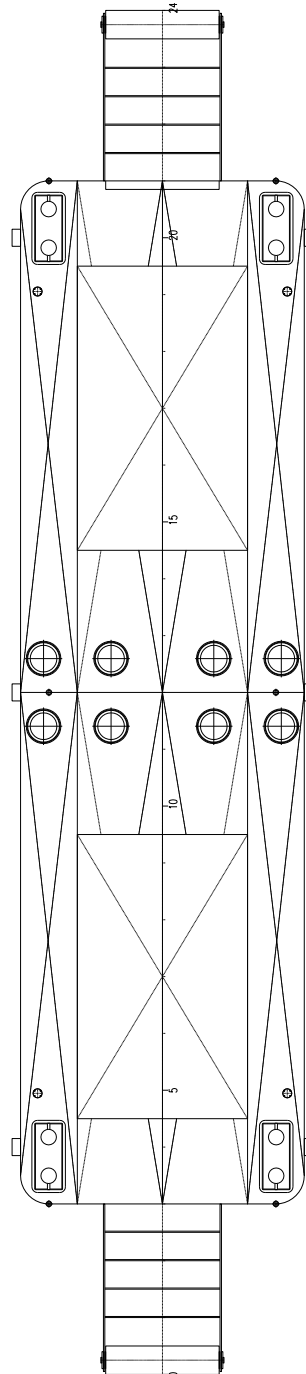
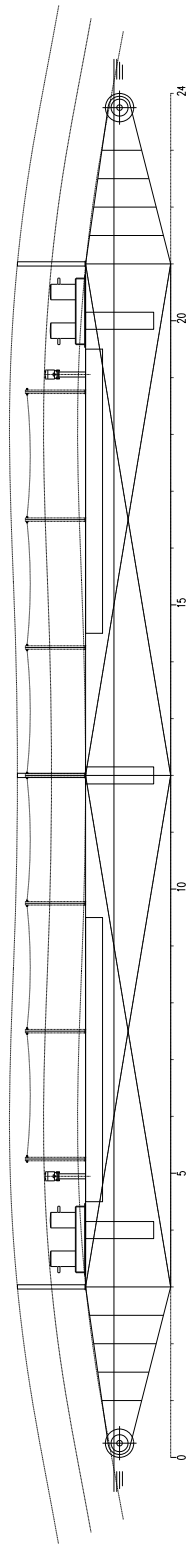
LENGTH O.A.	24,00 m
BEAM O.A.	5,00 m
DEPTH AT SIDES	1,50 m
DRAUGHT DESIGN	1,10 m
DEADWEIGHT	55 ton
DECK STRENGTH	10 ton/m ²

TANK CAPACITIES

DIRTY OIL	70 m ³
WATER BALLAST	50 m ³

DECK LAY-OUT

TANKS	4 Dirty oil tanks and 4 ballast water tanks
DRIP TRAYS	2 Drip trays of each 3 m x 5 m x 0,5 m
DRAIN SYSTEM	Drain valves and spindles for drainage to oil tanks
MANHOLES	Each tank one flush single point opening type
SOUNDING	Through manholes
DE-AERATION	Oil tanks are provided with dismountable de-aeration caps
EMPTYING OIL TANKS	Oil tanks are provided with foot valve and blind flange connection
EMPTYING BALLAST TANKS	Through the manholes
ROLLERS	Bow and stern are provided with roller extensions to support SBM hoses
FENDERING	On each side 3 heavy duty vertical fenders
BOLLARDS	4 Double bollards are provided
RAILINGS	On each side removable railings are provided
LIFESAVING	Two lifebuoys and two fire extinguishers



DAMEN ANTI POLLUTION BARGE 2405

"SARAH 17"

DAMEN

DAMEN SHIPYARDS GORINCHEM

Member of the DAMEN SHIPYARDS GROUP



Industrieterrein Avelingen West 20
4202 MS Gorinchem

P.O. Box 1
4200 AA Gorinchem
The Netherlands

phone +31 (0)183 63 99 11
fax +31 (0)183 63 21 89

pontoons-barges@damen.com
www.damen.com