

CUTTER SUCTION DREDGER 250

PICTURE OF SIMILAR VESSEL

GENERAL

Type	CSD 250
Basic functions	Capital mining and maintenance dredging

DREDGING FEATURES

Max. dredging depth	-6 m
Swing width	19,1 m (at max. dredging depth)
Max. mixture capacity	1,000 m ³ /h

DREDGE INSTALLATION

Dredge pump type	BP2525MD
Diameter suction/discharge pipe	250/250 mm
Cutter type	Crown model (with changeable chisels)
Cutter power	40 kW
Spherical passage pump	130 mm
Cutter diameter	950 mm

ENGINE INSTALLATION

Dredge pump diesel	Caterpillar C12 TA
Continuous power rating	254 kW @ 1,800 rpm
Hydraulic installation	Driving cutter, winches and cylinders
Electrical installation	24 V DC

PRINCIPAL DIMENSIONS

Length o.a. incl. ladder	19,00 m
Length over pontoons	11,50 m
Beam o.a.	4,20 m
Depth	1,50 m
Draught	0,90 m
Air draught	3,60 m
Total weight	30 tons

TANK CAPACITIES

Fuel oil approx.	6.00 m ³
Ballast water	4.50 m ³
Hydraulic oil	0.60 m ³

DECK MACHINERY

Ladder hoisting	Hydraulic cylinder stroke 0.8 m
Side wire winches (2x)	Hydraulic, 40 kN, 0-15 m/min
Spuds (2x)	Ø 273 mm, length 9 m
Spud hosting (2x)	Hydraulic cylinder, stroke 1 m

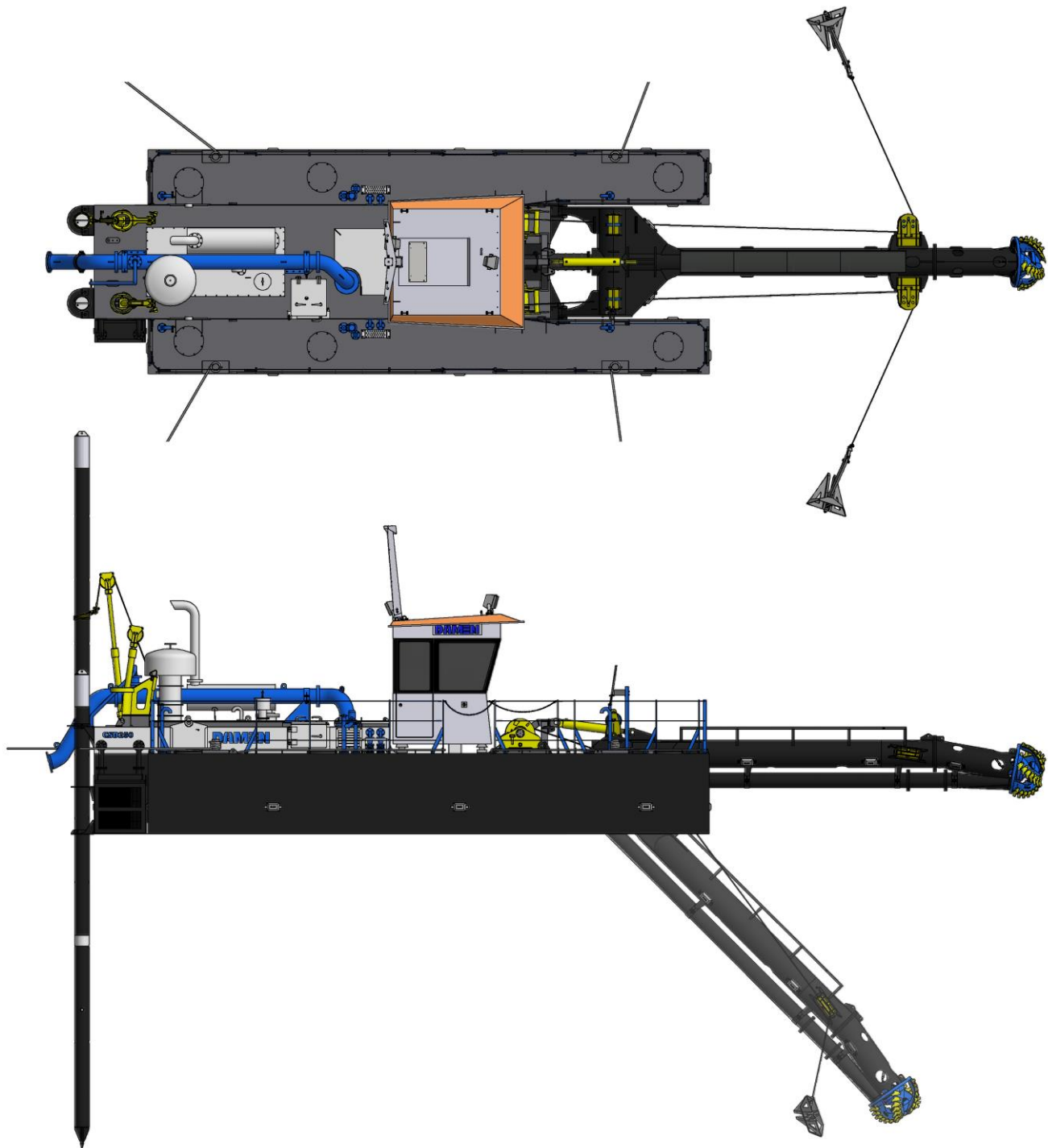
INSTRUMENTATION

Dredging depth indicator	
Vacuum and pressure indication of dredge pump	

REMARKABLE FEATURES

- Dismountable design
- Heavy duty robust design
- Simultaneous operation of all functions possible
- Spacious ergonomic designed control cabin and engine room
- One operator can control the entire dredger from the control cabin
- Transportable in three 40" Open Top Containers
- Large range of standard options are available to customize the CSD

CUTTER SUCTION DREDGER 250



DAMEN

DAMEN SHIPYARDS GROUP

Avelingen-West 20
4202 MS Gorinchem
The Netherlands

P.O. Box 1
4200 AA Gorinchem
The Netherlands

phone +31 (0)183 63 99 22
fax +31 (0)183 63 21 89

info@damen.com
www.damen.com

© No part of the leaflet may be reproduced in any form, by print, photo print, microfilm, or any other means, without written permission from Damen Shipyards Group