



# DAMEN CUTTER SUCTION DREDGER CSD500

Picture of similar vessel

## GENERAL

Yard no.	I120006
Type	CSD500
Delivery date	-
Basic functions	Capital mining and maintenance dredging

## DREDGING FEATURES

Dredging depth	-14 m
Max. swing width	39,6 m
Mixture capacity	4,000 m <sup>3</sup> /h

## DREDGE INSTALLATION

Dredge pump type	BP5045
Diam. suction/discharge	550/500 mm
Pipe	
Cutter type	5-1625 (with changeable chisels)
Cutter power	180 kW

## ENGINE INSTALLATION

Dredge pump diesel	Caterpillar 3512B
Continuous power rating	954 kW @ 1,600 rpm
Auxiliary diesel	Caterpillar C12 TA
Prime power rating	339 kW @ 1,800 rpm
Hydraulic installation	Driving cutter, winches and spuds
Electrical installation	24 V DC and 230/400 V AC, 34 kVA

## PRINCIPAL DIMENSIONS

Lenth o.a. incl. ladder	39.00 m
Length over pontoons	25.50 m
Beam	7.95 m
Draught	1.00 m
Air draught	6.70 m
Total weight	147.5 ton

## TANK CAPACITIES

Fuel oil approx.	22.0 m <sup>3</sup>
Ballast water (fore and aft)	8.0 m <sup>3</sup> (4x)
Hydraulic oil	2.5 m <sup>3</sup>

## DECK MACHINERY

Ladder winch	Hydraulic, 120 kN, 0-15 m/min
Swing winches (2x)	Hydraulic, 120 kN, 0-15 m/min
Spuds (2x)	∅ 610 mm, length 19 m
Spud hoisting (2x)	Hydraulic cylinder, stroke 1,500 mm
Anchor boom winches (2x)	Hydraulic, 40 kN, 0-25 m/min

## INSTRUMENTATION

- Dredging depth indicator
- Vacuum and pressure indication of dredge pump

## REMARKABLE STANDARD FEATURES

- Dismountable design
- Heavy duty robust design
- Simultaneous operation of all functions possible
- Spacious ergonomic designed control cabin and engine room
- Operators cabin with air conditioning
- Scantlings well in excess of class regulations

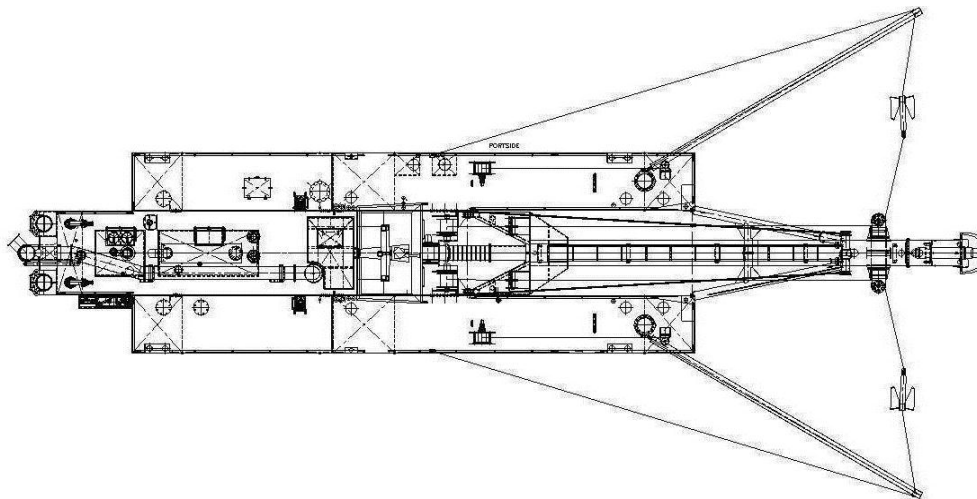
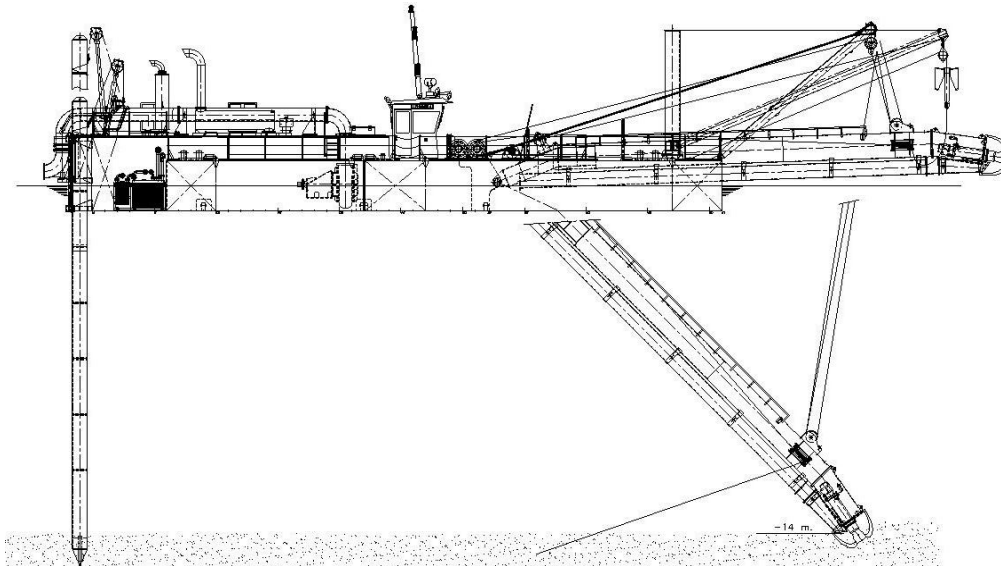
## PROVIDED OPTIONS

- Anchor boom installation
- Sternswivel
- Navigation mast

## LOCATION

Build at: Albwardy Marine Engineering, Dubai, United Arab Emirates  
Currently stored at: dubai, united arab emirates

# DAMEN



## DAMEN CUTTER SUCTION DREDGER CSD500

# DAMEN

DAMEN DREDGING EQUIPMENT

Member of the DAMEN SHIPYARDS GROUP



Edisonstraat 32  
3861 NE Nijkerk

P.O. Box 1021  
3860 BA Nijkerk  
The Netherlands

phone +31 (0)33 247 40 40  
fax +31 (0)33 247 40 60

info@damendredging.com  
www.damendredging.com